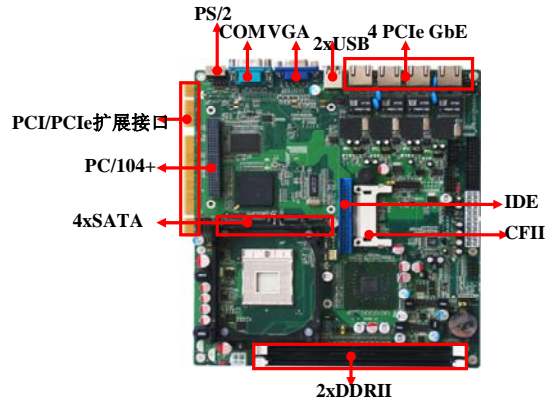


HT-W940

Embedded CPU board with Intel[®] 945GM chipset and Intel[®] Yonah Core Duo CPU up to 2.33GHz, Intel[®] low power Core Duo CPU with fanless Yonah Core Solo CPU.



Specification

- CPU
 - Intel[®] Yonah Core Duo CPU up to 2.33GHz, Intel[®] low power Core Duo CPU with fanless Yonah Core Solo CPU.
- System Chipset
 - Intel[®] 945GME+ ICH7
- BIOS
 - 4Mb Flash BIOS
- System Memory
 - Dual channel DDRII 400/533/667 MHz up to 2GB
- Ethernet
 - 4 X 10/100/1000Mbps by Intel[®] 82573V/L PCIe controller
- I/O
 - 1 x DB9 VGA by connector
 - 1 x RS-232 by connector
 - 4 x RJ45 by connector
 - 2 x USB 2.0 by connector
 - 1 x CFII connector
 - 1 x RS-232 by pin header (通过扩展板最多能支持 4,6,8 个 COM)
 - 1 x LPT by 2 x 13 pin header
 - 1 x IrDA by 1 x 5 pin header
 - 4 x USB 2.0 by 2 x 5 pin header

4 x SATA connectors, can support RAID (optional)

1 x IDE channel, support UTRA66/100

Expansion Slot

1 x PC/104+

1 PCI 转接卡可以支持 3 个 PCI 独立设备

1 PCIe 转接卡可以支持一个 4X 或 2 个 2X PCIe 设备

➤ Display

Integrated with Intel[®] Extreme Graphics GMA950

支持 CRT 与 LVDS 同时使用独立显示(双显)

➤ Watchdog Timer

Software programmable supports 1~255 sec. system reset

➤ Power Supply

ATX support

➤ Temperature

Operation: 0° C~ 60° C (商用), -20° C ~ 70° C (工业级)

➤ Humidity

operation: 5% ~ 95% non-condensing

➤ Dimension

231mm X 203mm